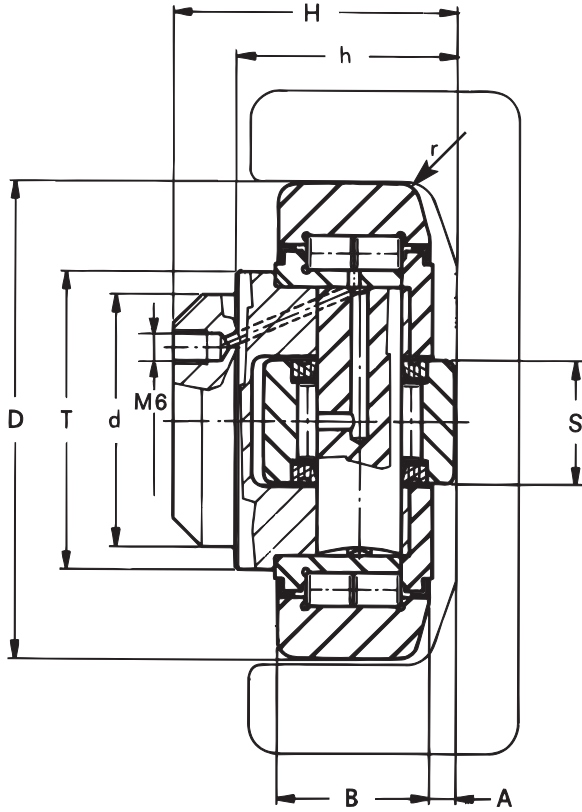


Bearing axial bearing fixed



نوع	Article no	D-0.1 mm	T mm	d-0.05 mm	H mm	h mm	B mm	A mm	S mm	r mm	قیمت	
											دلار	تومان
4.053	200.024.000	52,5	40	30	33,0	27,0	17	5,0	15	2		
4.054	200.001.000	62,5	42	30	37,5	30,5	20	2,5	20	3		
4.055	200.002.000	70,1	48	35	44,0	36,0	23	2,5	22	4		
4.056	200.003.000	77,7	54	40	48,0	36,5	23	3,0	26	4		
4.057	200.004.002	77,7	53	40	40,0	29,0	23	3,0	26	4		
4.058	200.005.000	88,4	59	45	57,0	44,0	30	3,5	26	3		
4.059	200.006.000	101,2	67	50	46,0	33,0	28	3,0	30	3		
4.060	200.007.000	107,7	71	55	53,0	39,0	31	3,0	34	5		
4.061	200.008.000	107,7	71	60	69,0	55,0	31	4,0	34	5		
4.062	200.009.000	123,0	80	60	72,3	56,0	37	5,0	40	5		
4.063	200.010.000	149,0	103	60	77,5	58,5	45	5,5	50	3		